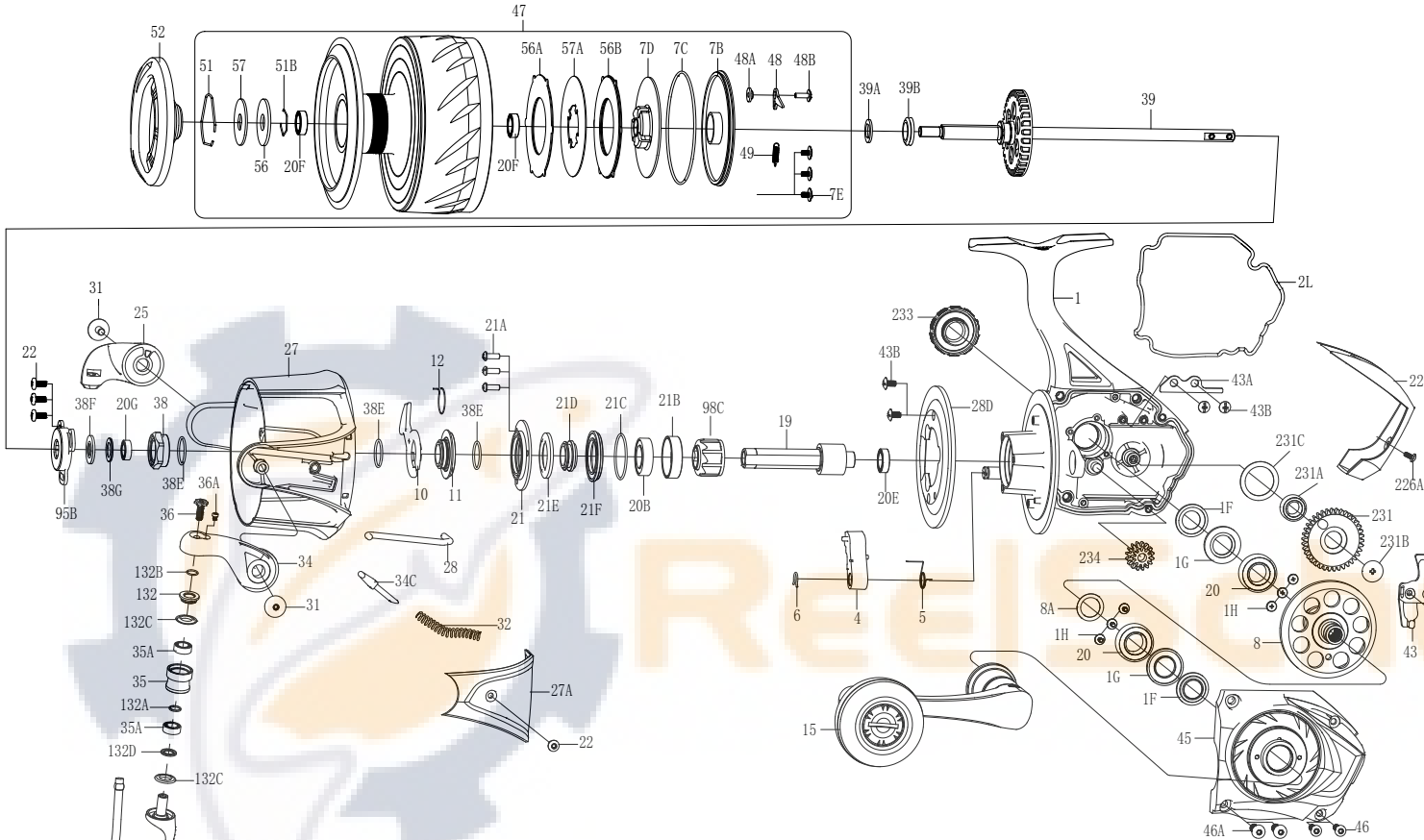




PARTS LIST FOR MODEL ATH10500



| KEY NO. | PART NO. | PENN STYLE NO. | DESCRIPTION |
|---------|----------|----------------|--------------------------------|
| 21F | 1577958 | 21F-ATH10500 | Bearing Cover |
| 22 | 1577821 | 22-ATH7500 | Bail Pivot Cover Screw (4 req) |
| 24 | 1577959 | 24-ATH10500 | Bail Wire |
| 25 | 1577960 | 25-ATH10500 | Bail Holder |
| 27 | 1577961 | 27-ATH10500 | Rotor |
| 27A | 1577962 | 27A-ATH10500 | Bail Pivot Cover |
| 28 | 1577963 | 28-ATH10500 | Trip Lever |
| 28D | 1489352 | 28D-SSVI9500 | Rotor Brake |
| 31 | 1577827 | 31-ATH7500 | Bail Arm Screw (2 req) |
| 32 | 1577964 | 32-ATH10500 | Bail Spring |
| 34 | 1577828 | 34-ATH7500 | Bail Arm |
| 34C | 1489313 | 34C-SSVI7500 | Pivot Arm |
| 35 | 1577965 | 35-ATH10500 | Line Roller |
| 35A | 1577830 | 35A-ATH7500 | Line Roller Bearing (2 req) |
| 36 | 1577831 | 36-ATH7500 | Bail Stud Screw |
| 36A | 1577832 | 36A-ATH7500 | Bail Stud Screw |
| 38 | 1577833 | 38-ATH7500 | Rotor Nut |
| 38E | 1489317 | 38E-SSVI7500 | Rotor O-Ring(3 req) |
| 38F | 1489318 | 38F-SSVI7500 | Main Shaft Seal Ring |
| 38G | 1577835 | 38G-ATH7500 | WASHER |
| 39 | 1577966 | 39-ATH10500 | Main Shaft Assembly |
| 39A | 1577837 | 39A-ATH7500 | Thrust Washer |
| 39B | 1577838 | 39B-ATH7500 | Spool Seal ring |
| 43 | 1577967 | 43-ATH10500 | Crosswind Block |
| 43A | 1577968 | 43A-ATH10500 | Crosswind Block Plate |
| 43B | 1489213 | 43B-SSVI3500 | Plate Screw (4 req) |
| 44 | 1489361 | 44-SSVI9500 | Crosswind Block Screw (2 req) |
| 45 | 1577969 | 45-ATH10500 | Housing Cover Assembly |
| 46 | 1577842 | 46-ATH7500 | Housing Cover Screw (2 req) |
| 46A | 1577970 | 46A-ATH10500 | Housing Cover Screw (2 req) |
| 47 | 1577971 | 47-ATH10500 | Spool Assembly |
| 48 | 1577844 | 48-ATH7500 | Click Tongue |
| 48A | 1214226 | 48A-3000SG | Click Tongue Washer |
| 48B | 1577845 | 48B-ATH7500 | Spool Click Screw |
| 49 | 1211627 | 49-5000SG | Click Tongue Spring |
| 51 | 1308112 | 51-CFT5000 | Drag Retaining Ring |
| 51B | 1577846 | 51B-ATH7500 | Drag Retaining Ring |
| 52 | 1577972 | 52-ATH10500 | Drag Knob Assembly |
| 56 | 1577848 | 56-ATH7500 | Drag Washer |
| 56A | 1577973 | 56A-ATH10500 | Drag Washer |
| 56B | 1577974 | 56B-ATH10500 | Drag Washer |
| 57 | 1489330 | 57-SSVI7500 | Keyed Washer |
| 57A | 1577975 | 57A-ATH10500 | Keyed Washer |
| 95B | 1577852 | 95B -ATH7500 | Rotor Locking Plate |
| 98C | 1489332 | 98C-SSVI7500 | Clutch/Sleeve Assembly |
| 132 | 1577976 | 132-ATH10500 | Roller Washer |
| 132A | 1577854 | 132A-ATH7500 | Line Roller Bushing |
| 132B | 1577855 | 132B-ATH7500 | O-Ring |
| 132C | 1577856 | 132C-ATH7500 | Seal ring (2 req) |
| 132D | 1577977 | 132D-ATH10500 | Roller Washer |
| 226 | 1577978 | 226-ATH10500 | Rear Cover |
| 226A | 1577858 | 226A-ATH7500 | Rear Cover Screw |
| 231 | 1577979 | 231-ATH10500 | Crosswind Gear Assembly |
| 231A | 1577861 | 231A-ATH7500 | Crosswind Gear Bearing |
| 231B | 1489372 | 231B-SSVI9500 | Crosswind Gear Screw |
| 231C | 1577980 | 231C-ATH10500 | Crosswind Gear Washer |
| 233 | 1577981 | 233-ATH10500 | Bearing Cover Assembly |
| 234 | 1577982 | 234-ATH10500 | Transfer Gear |

| KEY NO. | PART NO. | PENN STYLE NO. | DESCRIPTION | KEY NO. | PART NO. | PENN STYLE NO. | DESCRIPTION |
|---------|----------|----------------|----------------------------|---------|----------|----------------|--------------------------------|
| 1 | 1577946 | 1-ATH10500 | Housing Assembly | 11 | 1577951 | 11-ATH10500 | Bushing |
| 1H | 1489176 | 1H-SSVI3500 | Bearing Screw (6 req) | 12 | 1489296 | 12-SSVI7500 | Bushing Spring |
| 1G | 1577800 | 1G-ATH7500 | Seal Plate(2 req) | 15 | 1577952 | 15-ATH10500 | Handle Assembly |
| 1F | 1489289 | 1F-SSVI7500 | Main Gear Seal Ring(2 req) | 19 | 1577953 | 19-ATH10500 | Pinion Gear |
| 2L | 1577947 | 2L-ATH10500 | Housing Seal ring | 20 | 1577810 | 20-ATH7500 | Ball Bearing (2 req) |
| 4 | 1489377 | 4-SSVI9500 | A/R Dog | 20B | 1577811 | 20B-ATH7500 | Ball Bearing |
| 5 | 1489378 | 5-SSVI9500 | Dog Spring | 20E | 1577954 | 20E-ATH10500 | Ball Bearing |
| 6 | 1489379 | 6-SSVI9500 | Retaining Clip | 20F | 1577813 | 20F-ATH7500 | Ball Bearing (2req) |
| 7B | 1577948 | 7B-ATH10500 | Drag Washer Base | 20G | 1577814 | 20G-ATH7500 | Ball Bearing |
| 7C | 1577803 | 7C-ATH7500 | Spool Seal Ring | 21 | 1577955 | 21-ATH10500 | Bearing Retainer |
| 7D | 1577949 | 7D-ATH10500 | Spool bottom cover | 21A | 1192645 | 21A-5000SG | Bearing Retainer Screw (3 req) |
| 7E | 1577805 | 7E-ATH7500 | Screw(3 req) | 21B | 1577956 | 21B-ATH10500 | Collar |
| 8 | 1577950 | 8-ATH10500 | Main Gear | 21C | 1489388 | 21C-SSVI9500 | Bearing Retainer O-Ring |
| 8A | 1216652 | 8A-7000FRC | Shim | 21D | 1577957 | 21D-ATH10500 | Seal Holder |
| 10 | 1489381 | 10-SSVI9500 | A/R Holder | 21E | 1577819 | 21E-ATH7500 | Pinion Gear Seal |

407-ATH10500 Rev. 0 30-11-2021

1563167